

## BT8390-VESA200 VESA® 200 INTERFACE ARMS

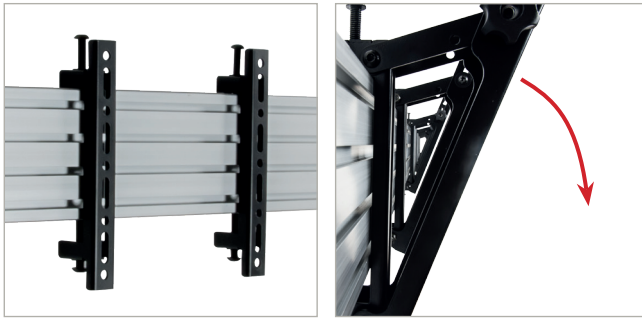
**FIXED OR TILT OPTIONS**

The Universal interface arms designed for screens using VESA® and non-VESA fixings up to 200mm\*. BT8390-VESA200F are fixed interface arms ideal for flat to the wall installations, whilst the BT8390-VESA200T arms have a tilt range of up to +20° with set increments of +0°, +10° and +15°; perfect for use on installations such as menu boards which may require a downward tilt.

### FEATURES

- Available in fixed or tilting variations
- Simple 'hook-on' installation
- All mounting hardware included
- All arms feature levelling screws to adjust the screen height

*\*Please note the VESA specification refers to the vertical dimension only, arms can be spaced apart as wide as necessary.*



BT8390-VESA200F are designed for fixed screen installations

BT8390-VESA200T feature +20° tilt adjustment



**FIXED**  
BT8390-VESA200F

**TILT**  
BT8390-VESA200T



### SPECIFICATION

Max Weight	50kg
Max Tilt*	+20°
VESA® Compatibility	200 x 200
Colour	Black

*\*Please note the tilt specification applies only to the BT8390-VESA200T*

## BT8390-VESA400 VESA® 400 INTERFACE ARMS

**FIXED, TILT OR MICRO-ADJUSTMENT OPTIONS**

The Universal interface arms designed for screens using VESA® and non-VESA fixings up to 400mm\*. BT8390-VESA400F are fixed interface arms, BT8390-VESA400T arms have a tilt range of up to +20° with set increments of +0°, +10° and +15°; and the BT8390-VESA400MAF fixed arms feature an 8-point micro-adjustment for seamless alignment of video wall screens.

### FEATURES

- Available in fixed, tilting or micro-adjustment variations
- BT8390-VESA400MAF features 8-point tool-less micro-adjustment for seamless video wall displays
- Simple 'hook-on' installation
- All mounting hardware included

*\*Please note the VESA specification refers to the vertical dimension only, arms can be spaced apart as wide as necessary.*



BT8390-VESA400F are designed for fixed screen installations

BT8390-VESA400T feature +20° tilt adjustment

BT8390-VESA400MAF features 8 point tool-less micro-adjustment



**FIXED**  
BT8390-VESA400F

**TILT**  
BT8390-VESA400T

**FIXED, MICRO-ADJUSTMENT**  
BT8390-VESA400MAF

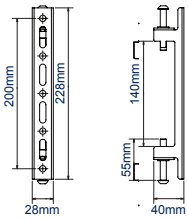


### SPECIFICATION

Max Weight	50kg
Max Tilt*	+20°
VESA® Compatibility	800 x 400
Colour	Black

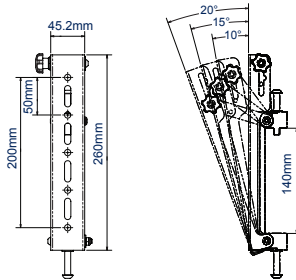
*\*Please note the tilt specification applies only to the BT8390-VESA400T*

**BT8390-VESA200F**  
FIXED VESA 200 ARMS



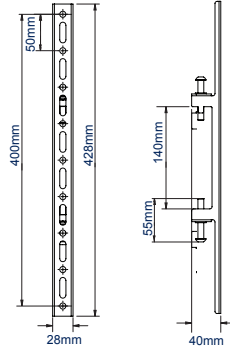
FRONT SIDE

**BT8390-VESA200T**  
VESA 200 ARMS WITH TILT



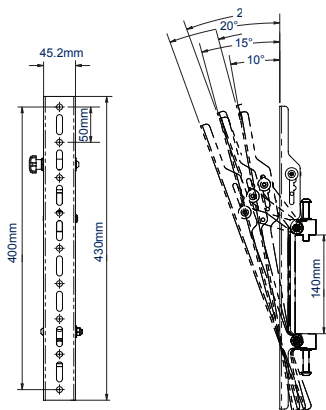
FRONT SIDE WITH TILT RANGE

**BT8390-VESA400F**  
FIXED VESA 400 ARMS



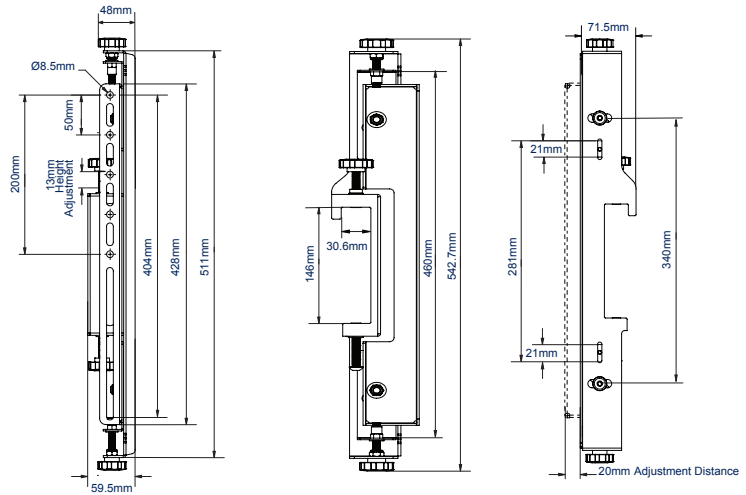
FRONT SIDE

**BT8390-VESA400T**  
VESA 400 ARMS WITH TILT



FRONT SIDE WITH TILT RANGE

**BT8390-VESA400MAF**  
FIXED VESA 400 ARMS WITH MICRO-ADJUSTMENT



FRONT LEFT SIDE RIGHT SIDE

**PACKING INFORMATION**

COLOUR:	ORDER REF:	EAN CODE:	MASTER CARTON QTY:	INNER CARTON QTY:	MASTER CARTON WEIGHT:	MASTER CARTON CUBE
Black	BT8390-VESA200F/B	5019318501203	13	0	15kg	0.065cbm
Black	BT8390-VESA200T/B	5019318501227	7	0	13.5kg	0.065cbm
Black	BT8390-VESA400F/B	5019318501210	13	0	18kg	0.046cbm
Black	BT8390-VESA400T/B	5019318501234	8	0	19kg	0.065cbm
Black	BT8390-VESA400MAF/B	5019318501197	6	0	23.5kg	0.064cbm

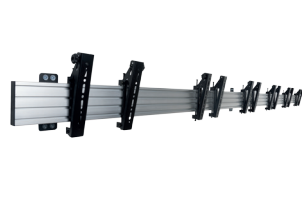
**ACCESSORIES AND RELATED PRODUCTS**

**BT8390-070/150/175/200**



Mounting Rail fits to columns, walls or poles using System X components

**BT8330**



Universal Menu Board Mounting System  
Single row menu board installations at any length

**BT8340**



Universal Video Wall Mounting System  
For video walls with multiple rows

**BT8371-2X2**



Universal Mobile Video Wall Stand  
For 2x2 video walls

© 2016 B-Tech Mounts of France. All rights reserved.  
The information in this specific and separate technical specification is the property of B-Tech.  
We reserve the right to change the technical or physical specifications without prior notice. This B-Tech Mounts and B-Tech Technology are registered trademarks of B-Tech International Ltd.  
B-Tech accepts no liability for loss or damage caused by improper or incorrect installation, use, or modification of the product. Any reproduction or retransmission of any part of this specification is expressly prohibited, unless prior written permission has been granted by B-Tech International Ltd. (BTL).

SS-SYSTEM X INTERFACE ARMS-V1-111215